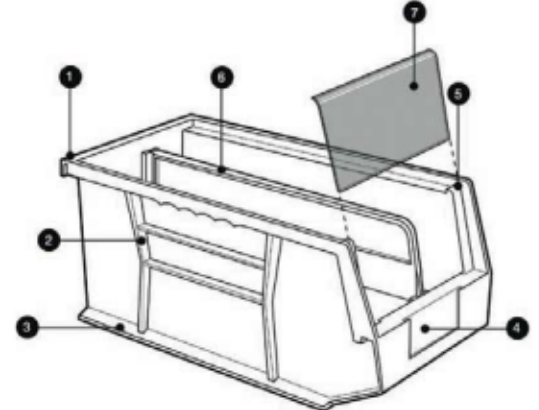


Ultra Stack and Hang Bins



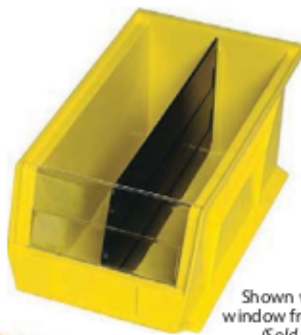
**PERFORMANCE FEATURES:**

- Available in 19 sizes
- Standard colors: Blue, Green, Ivory, Red, Yellow, Black and Clear  
Pink color is available in select sizes  
*(additional colors available on request, subject to up charge and minimum runs)*
- Bins are made from heavy-duty, virgin, high density FDA approved polypropylene
- Large label slot provide easy label insertion and parts identification
- Extra wide stacking ledge assures stability for high stacking
- Reinforced design adds strength and prevents spreading
- Will not rust or corrode, unaffected by weak acids and alkalis, and are waterproof
- Autoclavable up to 250°F
- Interchangeable with other manufactured brands of bins

- 1 Full width hanger supports bin when hanging from louvered panels or rails
- 2 Reinforced rib design adds strength and prevents spreading
- 3 Extra-wide stacking ledge for secure stacking
- 4 Large front label slot allows larger bar code scanning and content identification
- 5 Anti-slide stop prevents stacked bins from shifting forward
- 6 Optional dividers increase storage options
- 7 Optional windows maximize storage capacity, prevent spillage and protect parts from dust and dirt



**NEW**  
Shown with optional clear lid  
Lid pivots up and down via insertion  
in holes in rear of bin  
*(Sold separately)*



Shown with optional  
window front and divider  
*(Sold separately)*



**CLEAR LABEL HOLDER**  
Clear label holders and laser  
label inserts slide into front  
label slot of all bins.  
Package of 25.



**MOBILE ULTRA BIN**  
Ideal for transport of heavy  
and bulky parts  
Bin comes with 4 swivel,  
3" casters, all with brakes,  
allowing up to 250 lb.  
mobile load capacity



**POLYMER MOBILE DOLLY**  
**DLY-3018** Dolly with Padded Rubber Trim,  
available in Blue. 1,000 lb. capacity.  
Dimensions 30"L x 18"W  
*(Bin sold separately)*



**ATTACHED PULL RING**  
Allows dolly to be pulled  
with ease



32" Dolly Pull Rod with handle

| MODEL NO.  | DESCRIPTION                    | CTN WGT |
|------------|--------------------------------|---------|
| DLY-3018   | Dolly with Padded Rubber Trim  | 19 lbs  |
| HANDLE-DLY | 32" Dolly Pull Rod with Handle | 2 lbs   |

Bins sold separately.



**LOWEST PRICE GUARANTEED!**

**19 SIZES AND 8 COLORS AVAILABLE**  
THE LARGEST SELECTION ANYWHERE

**CLEAR VIEW**  
AVAILABLE on pg. 22

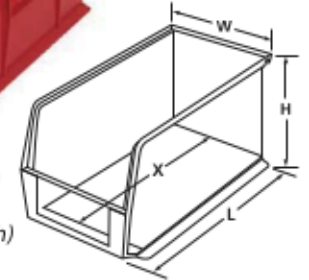


**NEW**

Pink color in select sizes

**HEAVY-DUTY LIFETIME USE**

**Bin Dimensions Guide**  
L (length) W (width)  
H (height) X (inside length)



Ultra Stack and Hang Bins



Organize your inventory with these strong bins, manufactured of FDA approved materials. Front, back and side grips for easy handling. Built-in rear hanger allows bins to hang from louvered panels or rails. Optional clear injection molded crystal styrene window front increases bin capacity and provides quick view of bin contents. Dividers maximize flexibility and keep contents organized. Wide stacking ledge and anti-slide lock keep stacked bins steady and prevent forward shifting. Water, rust, and corrosion proof. Easily cleaned with soap and water and impervious to most chemicals. Large molded front label slots for ID labels. Auto-davable up to 250°F and resistant to extreme cold. Guaranteed not to break or crack under normal load conditions. Available in 8 colors. See pg. 22 to order Clear Bins.

Available in: ● Blue ● Green ● Ivory ● Red ● Yellow ● Black ● Clear QUS210, QUS230, QUS240, QUS250 also available in: ● Pink

**NEW**

| MODEL NO. | OUTSIDE DIMENSIONS<br>L" x W" x H" | INSIDE DIMENSIONS<br>L" x W" x H" | X"        | CTN QTY | CTN WGT | BIN LOAD CAPACITY* | CLEAR WINDOW | CTN QTY | DIVIDER    | CTN QTY | DIVIDER SLOTS | CLEAR LABEL HOLDER & INSERT | CLEAR LID | CTN QTY |
|-----------|------------------------------------|-----------------------------------|-----------|---------|---------|--------------------|--------------|---------|------------|---------|---------------|-----------------------------|-----------|---------|
| QUS200    | 5" x 4-1/8" x 3"                   | 4-3/8" x 3-7/16" x 2-13/16"       | 3-1/2"    | 24      | 5 lbs   | 8 lbs              | -            | -       | DUS200     | 6       | 1             | LTR-1300                    | -         | -       |
| QUS210    | 5-3/8" x 4-1/8" x 3"               | 4-3/4" x 3-7/16" x 2-13/16"       | 4"        | 24      | 6 lbs   | 10 lbs             | -            | -       | DUS210     | 6       | 1             | LTR-1300                    | COV210    | 24      |
| QUS220    | 7-3/8" x 4-1/8" x 3"               | 6-3/4" x 3-7/16" x 2-13/16"       | 6"        | 24      | 8 lbs   | 10 lbs             | -            | -       | DUS220     | 6       | 1             | LTR-1300                    | COV220    | 24      |
| QUS221    | 9-1/4" x 6" x 5"                   | 8-1/2" x 5-1/8" x 4-1/2"          | 7-1/4"    | 12      | 6 lbs   | 20 lbs             | WUS221       | 12      | DUS221     | 6       | 1             | LTR-1754                    | -         | -       |
| QUS224    | 10-7/8" x 4-1/8" x 4"              | 10-1/4" x 3-3/16" x 3-3/4"        | 9"        | 12      | 8 lbs   | 30 lbs             | WUS224       | 12      | DUS224     | 6       | 1             | LTR-1253                    | COV224    | 12      |
| QUS230    | 10-7/8" x 5-1/2" x 5"              | 10-1/4" x 4-3/8" x 4-3/4"         | 9"        | 12      | 10 lbs  | 30 lbs             | WUS230/234   | 12      | DUS230/235 | 6       | 1             | LTR-1754                    | COV230    | 12      |
| QUS234    | 14-3/4" x 5-1/2" x 5"              | 14-1/16" x 4-3/8" x 4-3/4"        | 12-13/16" | 12      | 14 lbs  | 50 lbs             | WUS230/234   | 12      | DUS234     | 6       | 1             | LTR-1754                    | -         | -       |
| QUS235    | 10-7/8" x 11" x 5"                 | 10-1/4" x 10" x 4-3/4"            | 9"        | 6       | 10 lbs  | 50 lbs             | WUS235       | 6       | DUS230/235 | 6       | 3             | LTR-1754                    | COV235    | 6       |
| QUS239    | 10-3/4" x 8-1/4" x 7"              | 10" x 6-9/16" x 6-3/4"            | 8"        | 6       | 10 lbs  | 50 lbs             | WUS239/240   | 6       | DUS239     | 6       | 1             | LTR-1754                    | COV239    | 6       |
| QUS240    | 14-3/4" x 8-1/4" x 7"              | 14" x 6-9/16" x 6-3/4"            | 12"       | 12      | 24 lbs  | 60 lbs             | WUS239/240   | 6       | DUS240/250 | 6       | 1             | LTR-1754                    | COV240    | 12      |
| QUS241    | 13-5/8" x 8-1/4" x 6"              | 12-1/2" x 6-3/4" x 5-3/8"         | 11-1/8"   | 12      | 22 lbs  | 60 lbs             | WUS241       | 12      | DUS241     | 6       | 1             | LTR-1754                    | -         | -       |
| QUS242    | 13-5/8" x 8-1/4" x 8"              | 12-1/2" x 6-3/4" x 7-3/8"         | 11-1/8"   | 12      | 25 lbs  | 60 lbs             | WUS242       | 12      | DUS242     | 6       | 1             | LTR-1754                    | -         | -       |
| QUS245    | 10-7/8" x 16-1/2" x 5"             | 9-3/4" x 15" x 4-3/4"             | 9"        | 6       | 13 lbs  | 60 lbs             | WUS245       | 6       | DUS245     | 6       | 3             | LTR-1754                    | -         | -       |
| QUS250    | 14-3/4" x 16-1/2" x 7"             | 14" x 14-3/4" x 6-3/4"            | 12"       | 6       | 21 lbs  | 75 lbs             | WUS250       | 6       | DUS240/250 | 6       | 3             | LTR-1754                    | -         | -       |
| QUS255    | 16" x 11" x 8"                     | 15-1/8" x 10" x 7-3/4"            | 11-5/8"   | 4       | 14 lbs  | 75 lbs             | WUS255       | 4       | DUS255     | 6       | 3             | LTR-1754                    | -         | -       |
| QUS260    | 18" x 11" x 10"                    | 17" x 9-1/2" x 9-3/4"             | 14-3/16"  | 4       | 17 lbs  | 75 lbs             | WUS260       | 4       | DUS260     | 6       | 3             | LTR-1754                    | -         | -       |
| QUS265    | 18" x 8-1/4" x 9"                  | 17-1/8" x 6-3/4" x 8-1/4"         | 14-1/2"   | 6       | 17 lbs  | 60 lbs             | WUS265       | 6       | DUS265     | 6       | 1             | LTR-1754                    | -         | -       |
| QUS270    | 18" x 16-1/2" x 11"                | 17-1/8" x 14-3/4" x 10-1/4"       | 14"       | 3       | 16 lbs  | 75 lbs             | WUS270       | 3       | DUS270     | 6       | 3             | LTR-2400                    | -         | -       |
| QUS275MOB | 18" x 16-1/2" x 11"***             | 17-1/8" x 14-3/4" x 10-1/4"       | 14"       | 3       | 25 lbs  | -                  | WUS270       | 3       | DUS270     | 6       | 3             | LTR-2400                    | -         | -       |

\*10 lbs. weight based on capacity. \*\*10 lbs. capacity overall height is 14". Individual labels are available for all Ultra Bins. For label Model No. substitute "L" for "O" in bin Model No. (E.g. LTR-1300)



BodeEquipment.com  
(800) 797-5699