

# HDD

## Heavy Duty Dock Doors



TNR® delivers a basic rubber roll-up door for manually operated dock doors.

#### **HARSH ENVIRONMENTS**

dirt, dust, rain, snow, temperature

#### **DOOR IMPACT CONCERNS**

rugged construction withstands rough environments

#### **HIGH WINDLOAD & PRESSURE DIFFERENTIAL**

caused by exterior wind exposure & positive pressure work environments

#### **APPLICATIONS**

ideal for distribution, commercial and manufacturing applications

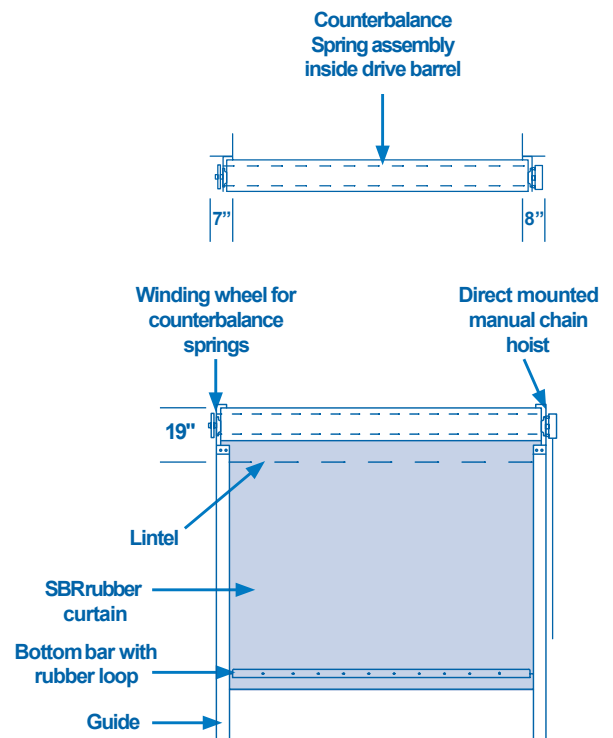
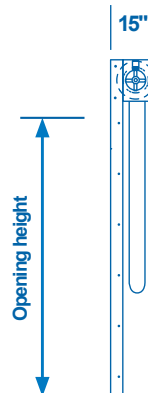
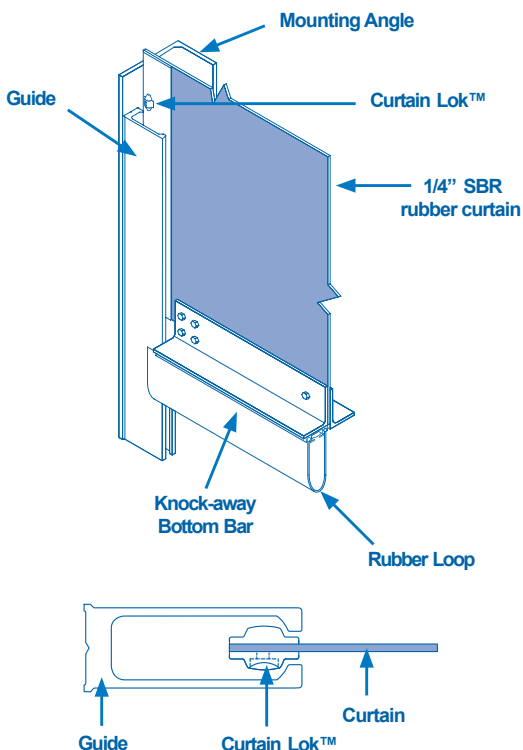


*Tough 'n' Ready  
For Your Challenging  
Environments*

# HDD Heavy Duty Dock Door

The full value of having a proven rugged TNR<sup>®</sup> rubber door is clearly evident when it withstands and endures the toughest workplaces.

Mechanical Feature	Description	Benefit
<b>Rubber Curtain Material</b> Limited Lifetime Warranty	1/4" thick SBR rubber with polyester core weave reinforcement. Standard Black. Optional Grey, Blue EPDM rubber.	Durable, flexible and resistant to harsh environments and impacts in temperatures from -40°F to 180°F.
<b>NEWGEN<sup>®</sup> Guide and Curtain Lok™ System</b> Limited Lifetime Warranty	Patented curtain retention system that releases upon impact	Reliable and consistent door operation, withstand repeated impacts, quick to repair and reset, no guide gap maintenance required.
<b>Door Size- W x H</b>	From 8' x 8' up to 10' x 12'	Offers a lower maintenance, affordable alternative to standard sectional doors for loading dock openings.
<b>Knock-away Bottom Bar</b>	Double-angle design with knock-away plate and EPDM rubber loop	After impact door is easily reset with standard fasteners, large rubber loop seals to uneven floors.
<b>Endplate &amp; Mounting Angles</b>	Simply designed support structures to accommodate easy and versatile installation. Self supporting steel frame.	Reduce installation cost and minimal clearances required around door opening. Reduce maintenance costs.
<b>Self Supporting Frame</b>	Steel mounting angles, pre-drilled and painted	Allows for quick and easy installation of door system.
<b>Manual Chain Hoist &amp; Counterbalance Springs</b>	4.5:1 ratio chain hoist with 25,000 cycle rated inboard springs	Low maintenance and low cost. Provides easy manual operation of dock door.
<b>Operator-Ready Option</b>	Replaces chain hoist with pressure sensitive reversing edge with coil cord.	Option to accommodate installer supplied electric operator for retrofit to model HDD manual dock door.
<b>Mechanical Options</b>	Front/top hoods, guide guards, 16" x 16" window, vision stripe	Customize for safety and convenience



BodeEquipment.com  
(800) 797-5699

