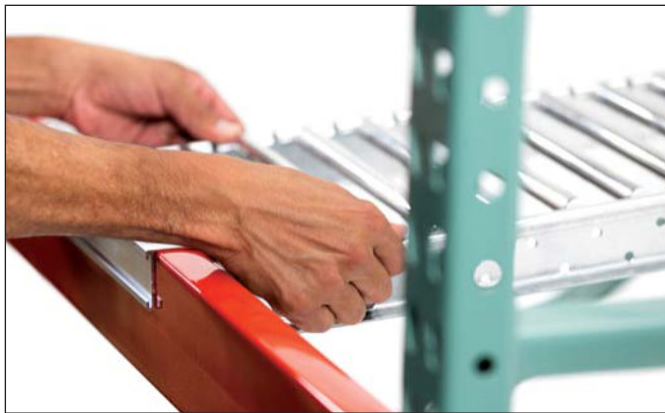




span//track

THE
ORIGINAL
CARTON FLOW
TRACK

Pick Smarter. Pick Better. Pick UNEX.



Span-Track is UNEX's innovative carton flow solution that drops into existing structures to create a robust flow system for any operation. Our full-width roller lanes and universal wheel beds are engineered-to-order to create the ultimate order picking environment.

Benefits

Versatility

Span-Track can be added to any new or existing pallet rack. No shelves or intermediate support required.

Superior Flexibility

Span-Track provides the flexibility to store products with a wide variation in size and weight.

High Capacity, Durability

Span-Track takes the abuse of active warehouses and assembly plants.

Unrivaled Flow

Span-Track provides maximum carton support and up to 300% more product contact than plastic wheel rails, resulting in better flow, fewer hang-ups and increased throughput.

Typical Configurations

Full Case Picking

Low Profile Span-Track drops into existing pallet rack, creating FIFO storage lanes that are ideal for full case picking.



Split Case Picking

Span-Track with adjustable pick trays presents open cases to order pickers so product can be picked from the case without interference from the shelf level above.





Span-Track Lane and Bed Shared Features

- Drop-in design for easy installation
- Freezer/cooler rated to below zero
- Light, standard, and heavy duty capacity choices
- Knuckled end treatment for improved ergonomic each picks
- Customizable end treatments that attach easily to any pallet rack setup
- Interior notching saves vertical space
- Available in to-the-inch increments
- 7-year warranty



Span-Track Lane Features

- Provides 300% more product contact than plastic wheel
- Integrated label holder system
- Optimized for product stacking
- The original carton flow track

Span-Track Bed Features

- Maximum flexibility left-to-right for reslotting
- Shark fin infeed guides ease replenishment
- Hex hub wheel design for optimal flow
- The latest innovation from the Pickologists at UNEX

End styles



Low Profile (S2)
Nests between beams on hangers for maximum use of vertical space. Used for full case or each pick. Perfect for racks with pallet storage above.



Hangerless (S9)
Adjustable length track sits on the ledge of step beams in the front and rear, keeping the face of the beams clear.



Low Profile Knuckle (KLx)
12", 16", 20" and 24" long 20° angled front end for increased efficiency in each pick applications within the rack structure.



Pushback (S4)
Notched track sits on top of step beams, with stops on front and rear, making it ideal for applications where product is loaded and picked from the front.



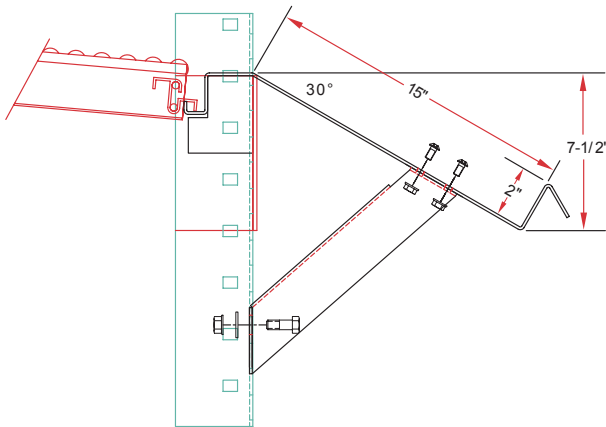
High Profile (S0)
Rests on rack beams. Easily adjusts for various contouring options. Can overhang structure to increase storage capacity.



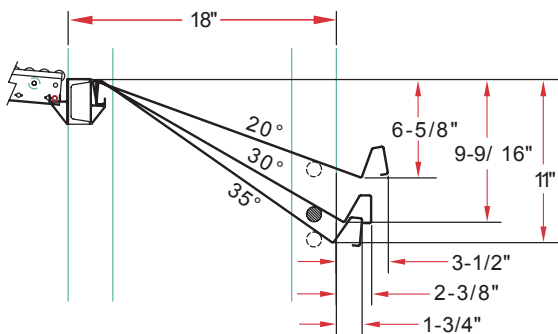
High Profile Knuckle (Kx)
Rests on rack beams. Overhangs structure up to 24" with 20° angled front end for increased efficiency in each pick applications.

Each Pick Options

ADD-ON PICKTRAY: 12", 15" DEPTH / 2" LIP / UP TO 96" WIDE



ADJUSTABLE PICK TRAY: 18", 24" DEPTH / 2" OR 4" LIP

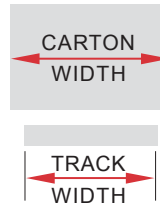


PART NUMBER EXAMPLE - SPAN-TRACK					
98	S2	R or W	6	2	x79
SERIES	END STYLE	ROLLER TYPE	TRACK WIDTH	ROLLER CENTERS	LENGTH

Selecting the Correct Track Width

SPAN-TRACK LANE WIDTH GUIDE

Span-Track Lane is available in 6 different widths at varying capacities. Product width will be the primary factor in determining lane width. Product can overhang the lane, up to 3" on either side and maintain flow.



SPAN-TRACK WIDTH	MAXIMUM	CARTON WIDTH
6"		8"
9"		13-1/2"
12"		18"
15"		22-1/2"
18"		25-1/2"
24"		31-1/2"

SPAN-TRACK BED WIDTH GUIDE

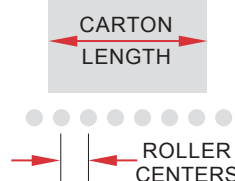
Span-Track Bed Widths are determined by the best track combination that fits within the width of the racking. Example: for a 96" wide bay, you can use (4) 18" wide beds & (2) 12" wide beds. This will create a 96" wide level of carton flow.



SPAN-TRACK BED WIDTH	HOW MANY	SERIES
12"	11.7"	98, 99
18"	17.7"	98, 99
12"	11.75"	100
15"	14.75"	100
18"	17.75"	100
24"	23.75"	100

98/99 SERIES ROLLER CENTER GUIDE

Roller Centers refers to the spacing between rollers within the sections. As product increases in length, additional space can be added between rollers/wheels. Having closer roller centers will increase the conveying surface and make the system more flexible.

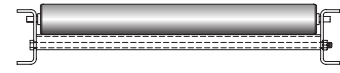
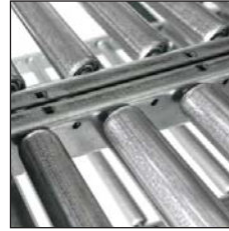


MINIMUM CARTON LENGTH	MAXIMUM ROLLER CENTER
4"	1"
8"	2"
12"	3"

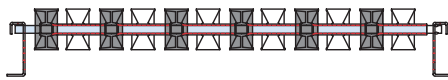
* Lane only



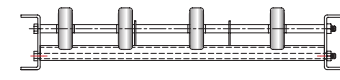
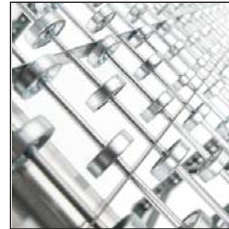
0.75" Roller is available in aluminum (R) and **steel(SR)**.
98 & 99 series



1.38" Roller (JRS) is made of galvanized steel with bearings.
100 series



1.6" Hex Hub (W)
Patent pending low friction wheel bed design
98 & 99 series

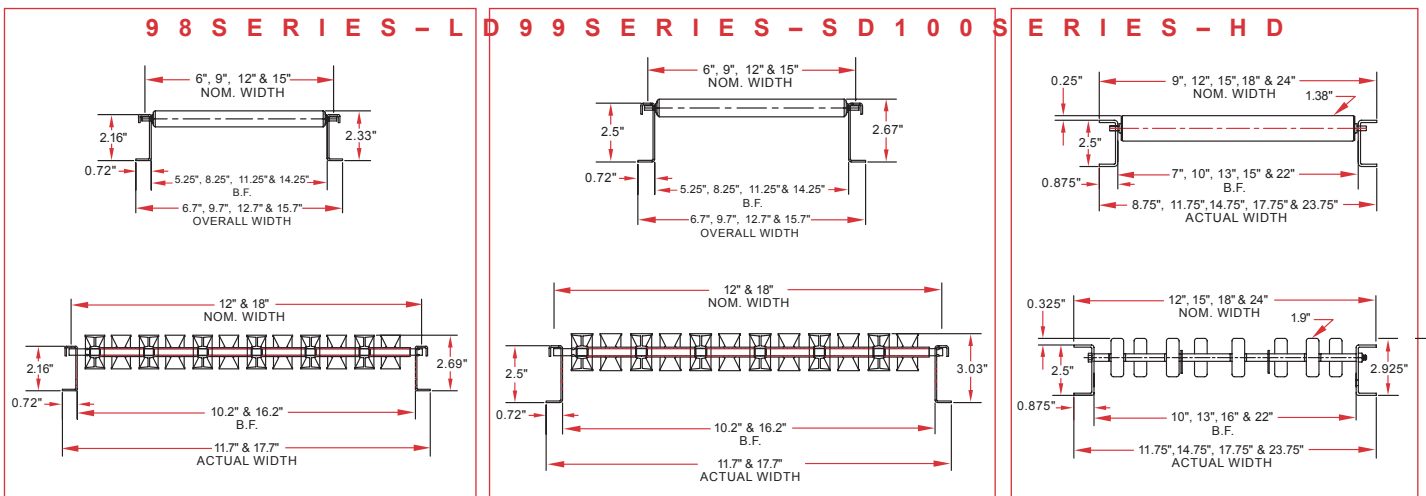


1.9" Skatewheel (SW) is available in steel and each wheel has a bearing.
100 series

SPAN-TRACK CAPACITIES

UNSUPPORTED SPAN (in)	LIGHT DUTY		STANDARD DUTY		HEAVY DUTY	
	98 Series (2-5/32") 6", 9", 12", 15", 18" *6"	99 Series (2-1/2") 9", 12", 15", 18" *4"	100 Series (2-1/2") 9", 12", 15", 18", 24"	100 Series (2-1/2") 12", 15", 18", 24"	100 Series (2-1/2") 12", 15", 18", 24"	100 Series (2-1/2") 12", 15", 18", 24"
	Roller-Lane (lbs/linearf) Wheel-Bed (lbs/sqft)	Roller-Lane (lbs/linearf) Wheel-Bed (lbs/sqft)	Roller-Lane (lbs/linearf) Wheel-Bed (lbs/sqft)	Roller-Lane (lbs/linearf) Wheel-Bed (lbs/sqft)	Roller-Lane (lbs/linearf) Wheel-Bed (lbs/sqft)	Roller-Lane (lbs/linearf) Wheel-Bed (lbs/sqft)
36	35	50	100	100	100	
48	35	50	100	100	100	
60	35	50	100	100	100	
72	35	50	100	100	85	
84	35	50	100	100	75	
90	35	45	100	100	65	
96	30	40	100	80	55	
102	25	35	90	70	45	
108	20	30	75	55	40	
114	15	25	65	50	35	
120	10	20	55	40	30	
126			50	40	25	
132			40	30	20	
138			35	25	20	
144			30	25	15	

*Bed only





Impact Plate
Steel impact plates snap onto rollers to provide a steel surface for impact loading



Impact Zone
Impact zones have added rollers or wheels to the first 12" or 18" of the load end of the track



Raised Pressure Relief Ramp Stop
Relieves line pressure on the first case, creating an easier pick



Slow Down Strips
Narrow strips snap onto rollers for precise flow modulation



Infeed Guides - Lane
Bolts onto the side channel, designating the location of the pick facing



Infeed Guides - Bed
"Shark fin" design snaps onto axles, guiding product replenishment



Label Holders
Self-adhesive backed extruded plastic label holder



Guard Rail
Full-length lane dividers that bolt onto the side channels of the tracks. 2 sizes available.



Internal Notch
Accommodates an infinitely adjustable interior support beam to minimize clearance



Swing Stop
Spring-loaded stop that operator lowers when accessing product



Rigid Splice
For splicing two square end tracks



Low Profile Bridge Splice
For splicing two notched end tracks for vertical space savings

The Span-Track Advantage

- Increased facings
- Full-depth storage
- Safe, ergonomic picks
- Product always up front
- Easy to restock
- FIFO stock rotation